

GYRO STABILIZED HOT HEAD

FLIGHT HEAD 6 (DIGITAL)

1/3

FEATURES

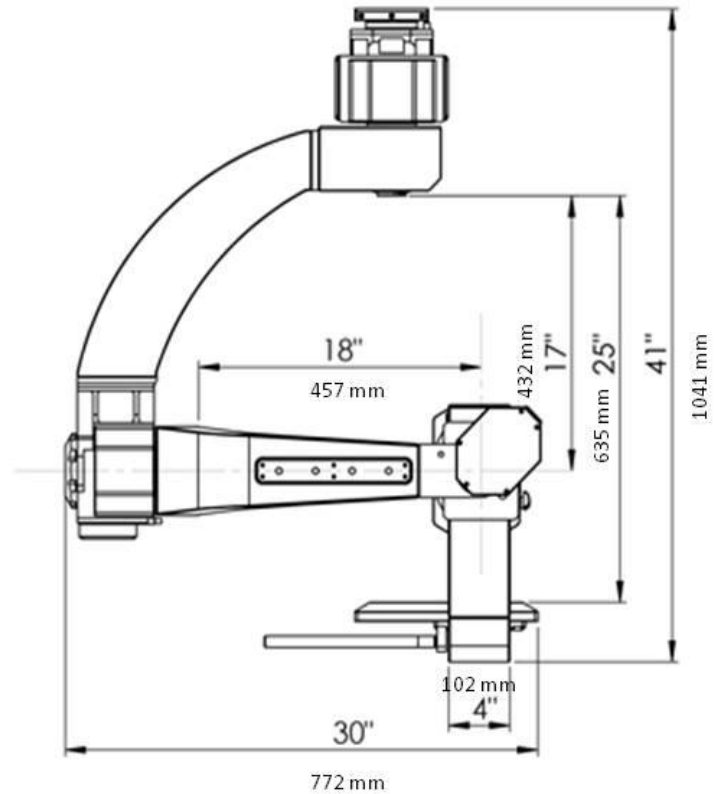
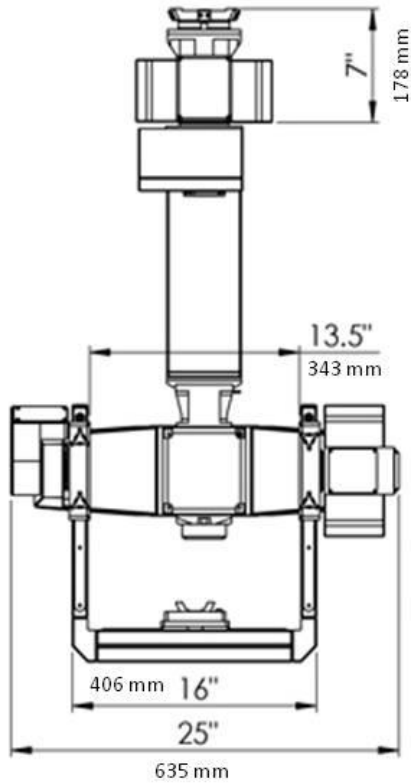
- Limits / Hold position / Back pan compensation / Locked shot
- Angular position indication
- Horizon shift
- Mitchell mount (underslung/overslung)
- Sealed for all weather conditions
- Control: Joystick & Hand-wheels
- 3-Axis Gyro-Stabilized
- Pan Axis travels through 360° continuous slip ring
- Roll Axis travels through 270° with auto horizon
- Digital Auto Horizon (GV) keeps camera level in high G turns
- Auto Horizon can be turned off for greater control of roll axis
- Tilt Axis travels through 200°
- Pan Speed, Roll Speed, Tilt Speed 120°/sec
- Integrated Focus & Zoom controls of ENG TV lens drives (Canon & Fujinon)
- Preston FIZ plugs into head console to give zoom control to the operator
- RF Wireless capable (900mhz)
- Temperature Range: -40°F to 104°F (4.5°C to 40°C)
- Payload Capacity: 121.25lbs (55kg)
- Head Weight: 72.75lbs (33kg)
- 24-30 VDC
- 2 Amps Standby
- 15 Amps Max



GYRO STABILIZED HOT HEAD

FLIGHT HEAD 6 (DIGITAL) DIMENSIONS

2/3



GYRO STABILIZED HOT HEAD

FLIGHT HEAD 6 (DIGITAL)
GALLERY

3/3

